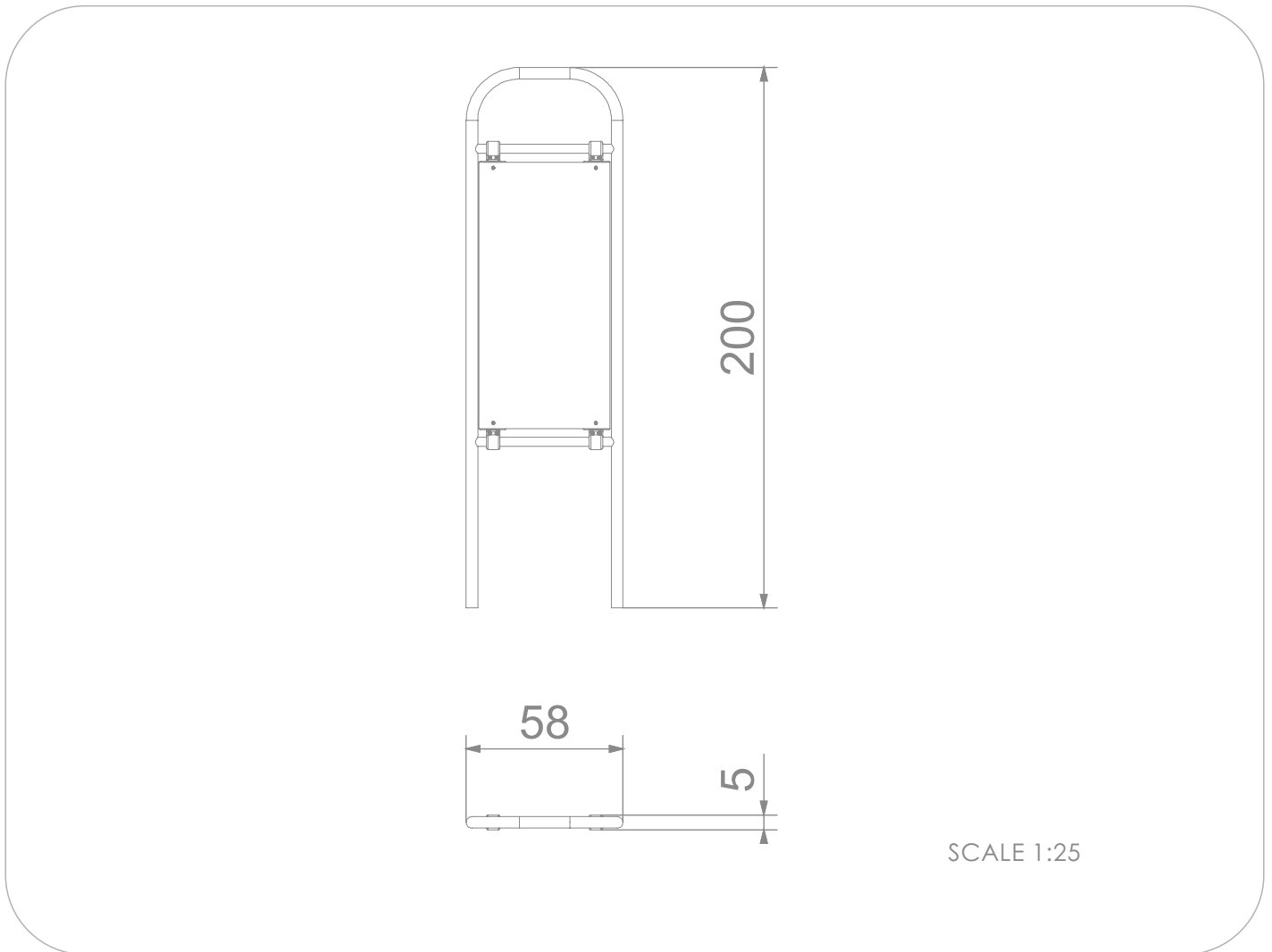




### INFORMATION ABOUT THE PRODUCT

Dimensions	58 x 5 cm
Overall height	200 cm
Availability of spare parts	YES

**MATERIALS:**

<b>SOLID CONSTRUCTION</b> MADE OF BLACKSTEEL S235JR, CLEANED IN THE SANDBLASTING PROCESS	<b>SYSTEM OF CONNECTORS AND CLAMPS</b> MADE OF STRONG ALUMINIUM ALLOY	<b>INFORMATION BOARD</b> WITH PRINTOUT ON UV-RESISTANT FOIL, GLUED TO A HOT DIP GALVANISED METAL SHEET
